

DESCRIPTION

AMC MODEL BT-50K18 OPTION 100V IS AN INDUCTIVE BIAS T, DESIGNED TO OPERATE OF THE 50 KHz TO 18 GHz FREQUENCY RANGE. OPTION 100V GIVES THE BIAS T A MAXIMUM DC VOLTAGE OF 100V AND MAXIMUM DC CURRENT OF 50 mA.

SPECIFICATIONS

- FREQUENCY RANGE: 50 KHz TO 18 GHz
- INSERTION LOSS: 1.5 dB MAXIMUM
- ISOLATION: 60 dB MINIMUM (10 MHz TO 18 GHz)
- VSWR: 1.75:1 TYPICAL, 2.0:1 MAXIMUM
- SERIES RESISTANCE: 2.5 OHMS MAXIMUM
- MAX DC VOLTAGE: 100V
- MAX DC CURRENT: 50mA
- CONNECTORS:
 - RF: SMA FEMALE
 - CONTROL: SOLDER PIN
- SIZE: 1.00" (L) x 1.00" (W) x 0.50" (H)
- WEIGHT: 1.0 OUNCE TYPICAL

OPTIONS:

- 100V: DC MAX VOLTAGE: 100V, DC MAX CURRENT: 50mA
INSERTION LOSS: 1.5 dB MAXIMUM

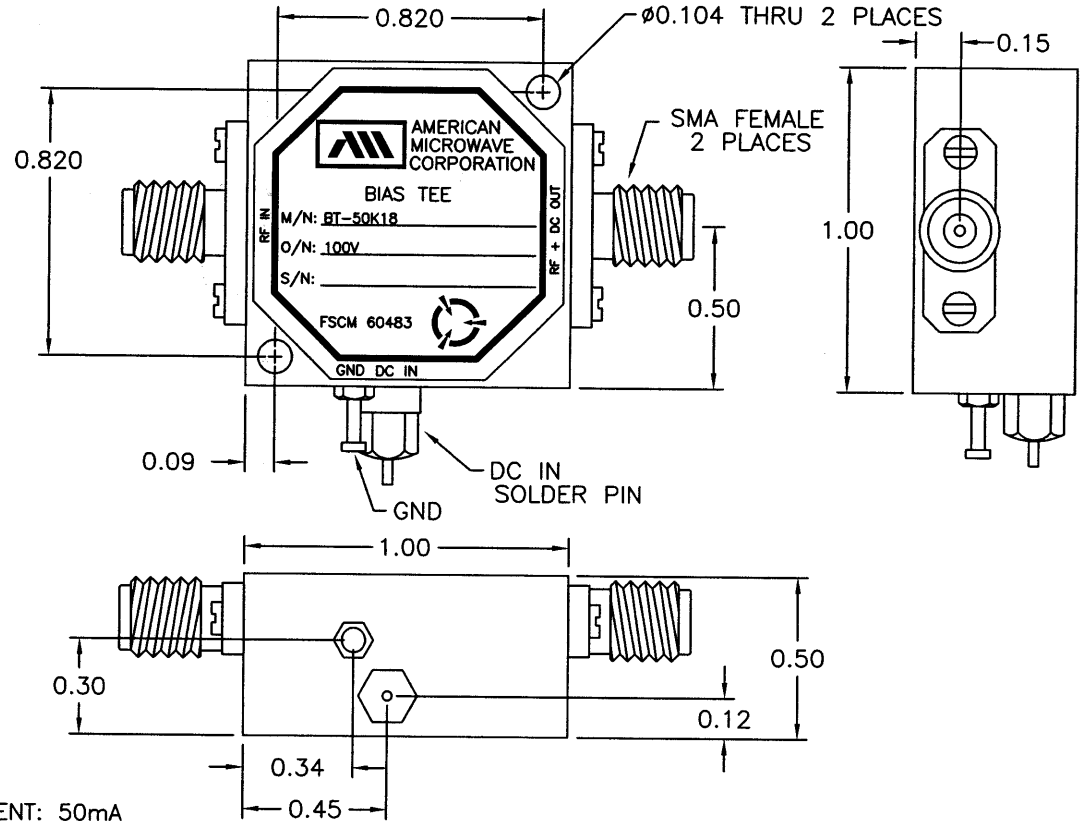
ENVIRONMENTAL RATINGS:

- TEMPERATURE: -55°C TO +85°C (OPERATING)
..... -65°C TO +125°C (STORAGE)
- HUMIDITY: MIL-STD-202F, METHOD 103B COND. B
- SHOCK: MIL-STD-202F, METHOD 213B COND. B
- VIBRATION: MIL-STD-202F, METHOD 204D COND. B
- ALTITUDE: MIL-STD-202F, METHOD 105C COND. B
- TEMPERATURE CYCLE: MIL-STD-202F, METHOD 107D COND. A

NOTE: SPECIFICATIONS WILL VARY OVER OPERATING TEMPERATURE
NOTE: THE ABOVE SPECIFICATIONS ARE SUBJECT TO CHANGE OR REVISION

ALL DIMENSIONS ARE IN INCHES
TOLERANCES:
X.XX ±0.020
X.XXX ±0.010

REVISIONS				
ZONE	REV.	DESCRIPTION	DATE	APPROVED
	-	ORIGINAL RELEASE JOB# 501014N	2/22/05	



AMERICAN MICROWAVE CORPORATION

7311-G GROVE ROAD
FREDERICK, MARYLAND 21704 USA
TEL: 301-662-4700 FAX: 301-662-4938
WEBSITE: www.americanmicrowavecorp.com
E-MAIL: sales@americanmicrowavecorp.com
ISO 9001:2000 CERTIFIED

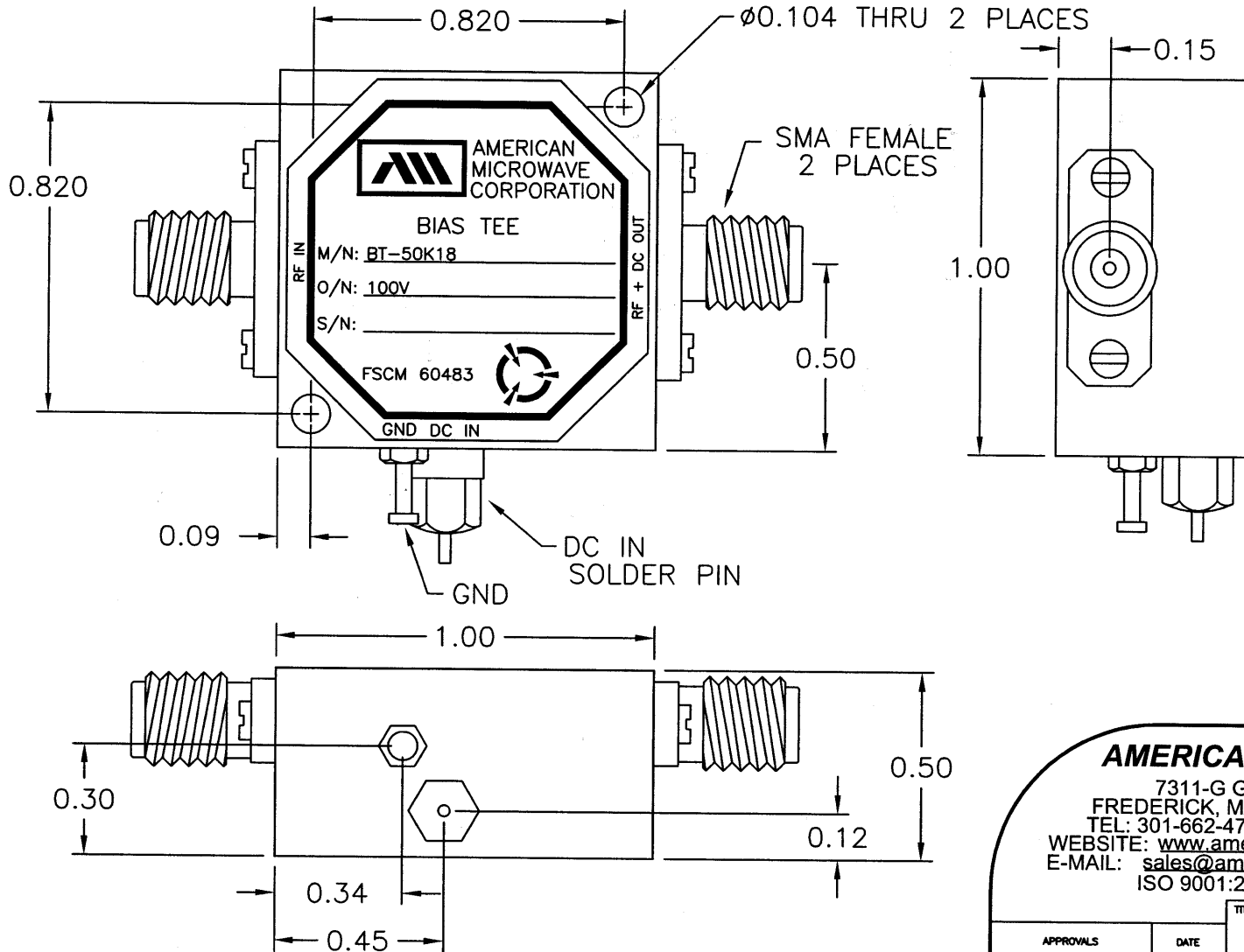


APPROVALS		DATE	TITLE			REV.
DRAWN <i>JKM</i>		2/22/05	PRODUCT FEATURE BT-50K18 OPTION: 100V 50 KHz TO 18 GHz INDUCTIVE BIAS T			-
CHECKED			SIZE A	FSCM NO. 60483	OWG NO. 100-7358	
ISSUED			SCALE N:S		SHEET	1 OF 3

DESCRIPTION

AMC MODEL BT-50K18 OPTION 100V IS AN INDUCTIVE BIAS T, DESIGNED TO OPERATE OF THE 50 KHz TO 18 GHz FREQUENCY RANGE. OPTION 100V GIVES THE BIAS T A MAXIMUM DC VOLTAGE OF 100V AND MAXIMUM DC CURRENT OF 50 mA.

REVISIONS				
ZONE	REV.	DESCRIPTION	DATE	APPROVED
	-	ORIGINAL RELEASE JOB# 501014N	2/22/05	



MECHANICAL OUTLINE

ALL DIMENSIONS ARE IN INCHES
 TOLERANCES:
 X.XX ±0.020
 X.XXX ±0.010

AMERICAN MICROWAVE CORPORATION

7311-G GROVE ROAD
 FREDERICK, MARYLAND 21704 USA
 TEL: 301-662-4700 FAX: 301-662-4938
 WEBSITE: www.americanmicrowavecorp.com
 E-MAIL: sales@americanmicrowavecorp.com
 ISO 9001:2000 CERTIFIED



APPROVALS		DATE	TITLE		
DRAWN <i>JKM</i>		2/22/05	MECHANICAL OUTLINE BT-50K18 OPTION: 100V 50 KHz TO 18 GHz INDUCTIVE BIAS T		
CHECKED			SIZE A	FSCM NO. 60483	DWG NO. 100-7358
ISSUED			SCALE N:S		SHEET 2 OF 3